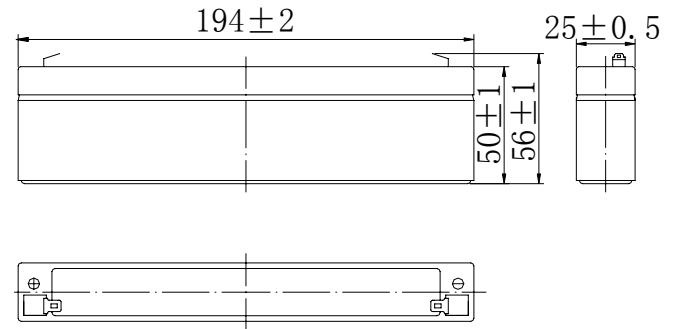


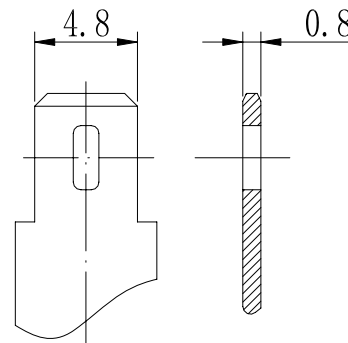
Specifications

Nominal Voltage		6 V
Capacity (25°C)	20HR(5.25V)	3.5Ah
	10HR(5.25V)	3.3Ah
	1HR(4.80V)	2.28Ah
Dimension	Length	194±2mm (7.64inch)
	Width	25±0.5mm (0.98inch)
	Height	50±1mm (1.97inch)
	Total Height	56±1mm (2.20inch)
Approx. Weight		0.6kg (1.32lbs)±5%
Terminal type		T1
Internal resistance (Fully charged, 25°C)		Approx. 18mΩ
Capacity affected by temperature (20HR)	40°C	102%
	25°C	100%
	0°C	85%
	-15°C	65%
Self-discharge (25°C)	3 month	Remaining Capacity: 91%
	6 month	Remaining Capacity: 82%
	12 month	Remaining Capacity: 65%
Nominal operating temperature		25°C ± 3°C (77°F ± 5°F)
Operating temperature range	Discharge	-15°C ~ 50°C (5°F ~ 122°F)
	Charge	-10°C ~ 50°C (14°F ~ 122°F)
	Storage	-20°C ~ 50°C (-4°F ~ 122°F)
Float charging voltage(25°C)		6.80 to 6.90V Temperature compensation: -9mV/°C
Cyclic charging voltage(25°C)		7.25 to 7.45V Temperature compensation: -15mV/°C
Maximum charging current		1.05A
Terminal material		Copper
Maximum discharge current		52.5A(5 sec.)
Designed floating life(20°C)		10years

Dimensions



Terminal



Terminal T1

- ◆ Absorbent glass mat technology;
- ◆ Recognized by UL & CE;
- ◆ ABS container.

Constant Current Discharge Characteristics (A, 25°C)

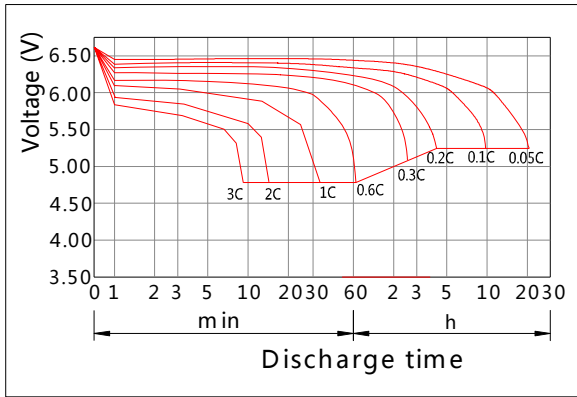
F.V/TIME	5min	10min	15min	30min	60min	2h	3h	4h	5h	10h	20h
4.80V	13.3	8.40	6.65	3.71	2.28	1.24	0.89	0.71	0.61	0.33	0.178
4.95V	12.9	8.15	6.49	3.64	2.24	1.24	0.89	0.71	0.60	0.33	0.177
5.10V	12.4	7.81	6.25	3.52	2.18	1.23	0.88	0.70	0.60	0.33	0.176
5.25V	11.8	7.48	6.04	3.44	2.14	1.21	0.88	0.70	0.60	0.33	0.175
5.40V	11.2	7.06	5.72	3.31	2.07	1.18	0.85	0.68	0.58	0.32	0.172

Constant Power Discharge Characteristics (Watt, 25°C)

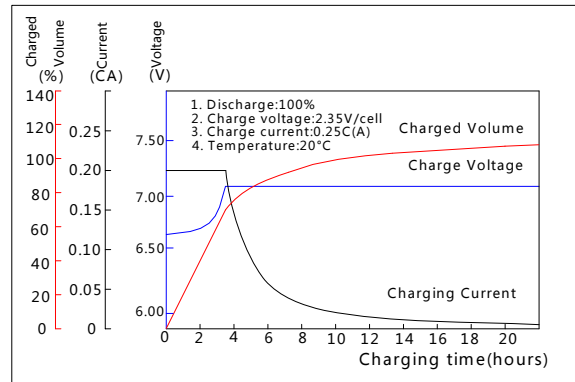
F.V/TIME	5min	10min	15min	30min	60min	2h	3h	4h	5h	10h	20h
4.80V	74.2	47.4	37.9	21.3	13.2	7.27	5.30	4.25	3.62	1.98	1.07
4.95V	72.0	46.0	37.0	20.8	13.0	7.23	5.27	4.23	3.60	1.97	1.06
5.10V	69.0	44.1	35.6	20.2	12.6	7.17	5.23	4.20	3.58	1.96	1.06
5.25V	66.1	42.2	34.4	19.7	12.4	7.06	5.20	4.17	3.55	1.95	1.05
5.40V	62.3	39.8	32.6	19.0	12.0	6.88	5.04	4.04	3.45	1.91	1.03

Note: The above characteristics data can be obtained within three charge/discharge cycles.

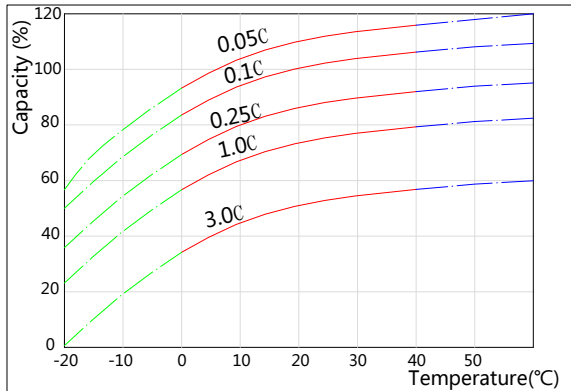
Discharge Characteristics(25°C)



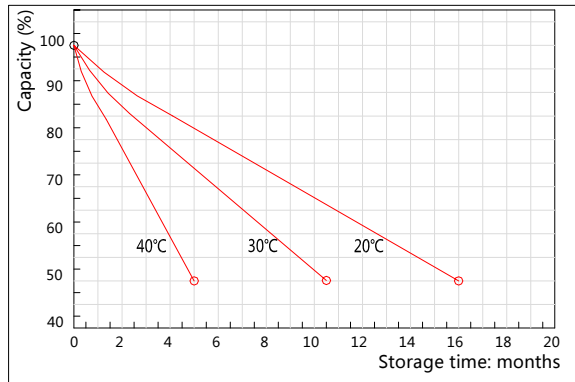
Charging Characteristics(25°C)



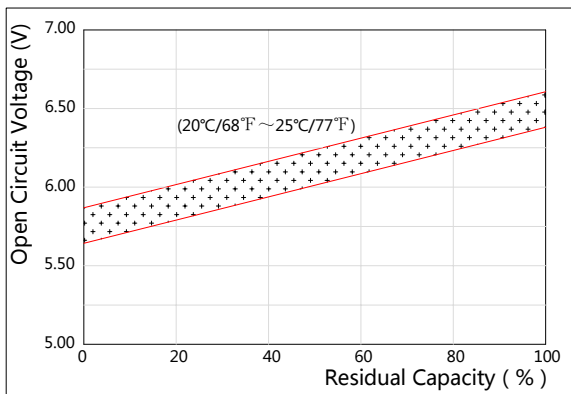
Effect of Temperature on Capacity



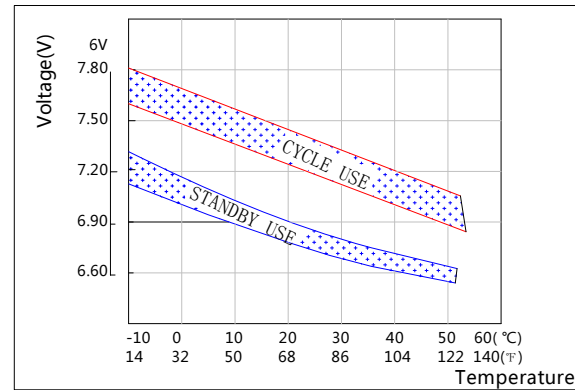
Self-discharge Characteristics



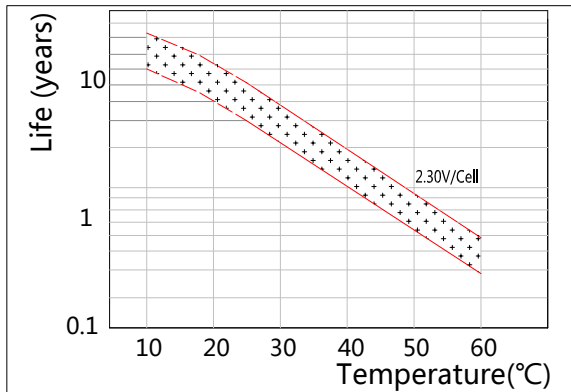
The Relationship for Open Circuit Voltage and Residual Capacity (25°C)



The Relationship for Charging Voltage and Temperature



Floating Life on Temperature



Cycle Life on D.O.D(25°C)

