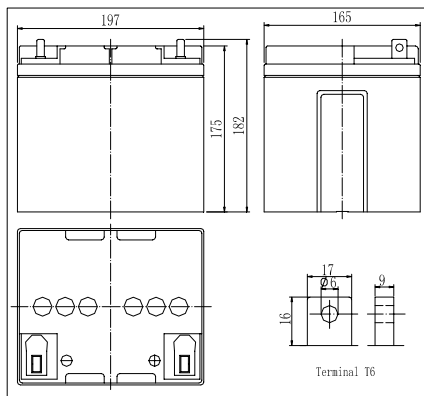


Dimensions



Specifications

| | | |
|---|--------------|----------------------------|
| Nominal Voltage | | 12 V |
| Capacity(10HR, 25°C) | | 45Ah |
| Dimension | Length | 197mm (7.76inch) |
| | Width | 165mm (6.5inch) |
| | Height | 175mm (6.89inch) |
| | Total Height | 182mm (7.17inch) |
| Approx. Weight | | 13.7kg (30.2lbs) |
| Internal resistance (Fully charged, 25°C) | | Approx.8.0m Ω |
| Capacity affected by temperature (10HR) | 40°C | 102% |
| | 25°C | 100% |
| | 0°C | 85% |
| | -15°C | 65% |
| Self-discharge (25°C) | 3 month | Remaining Capacity: 91% |
| | 6 month | Remaining Capacity: 82% |
| | 12 month | Remaining Capacity: 65% |
| Nominal operating temperature | | 25°C ± 3°C (77°F ± 5°F) |
| Operating temperature range | | -15°C ~ 50°C (5°F ~ 122°F) |
| Float charging voltage(25°C) | | 13.50 to 13.80V |
| Cyclic charging voltage(25°C) | | 14.50 to 14.90V |
| Maximum charging current | | 13.5A |
| Terminal material | | Lead |
| Maximum discharge current | | 450A(5 sec.) |

- ◆ Absorbent glass mat technology;
- ◆ Recognized by UL & CE;
- ◆ ABS container.

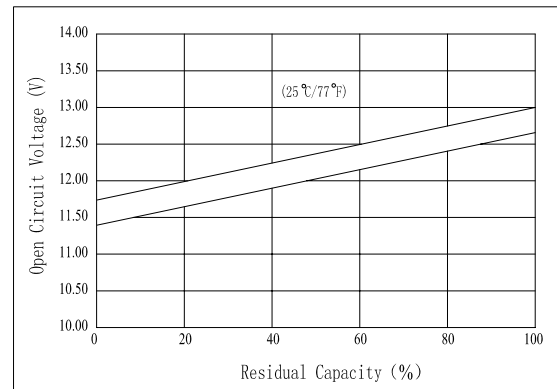
Constant Current Discharge Characteristics (A, 25°C)

| F.V/TIME | 5min | 10min | 15min | 30min | 60min | 3h | 5h | 10h | 20h |
|----------|------|-------|-------|-------|-------|------|------|------|------|
| 9.60V | 130 | 88.0 | 73.0 | 43.0 | 27.0 | 10.9 | 7.67 | 4.26 | 2.24 |
| 10.2V | 124 | 83.6 | 70.1 | 41.3 | 25.9 | 10.7 | 7.56 | 4.23 | 2.22 |
| 10.8V | 116 | 78.6 | 66.6 | 39.2 | 24.6 | 10.5 | 7.41 | 4.20 | 2.21 |

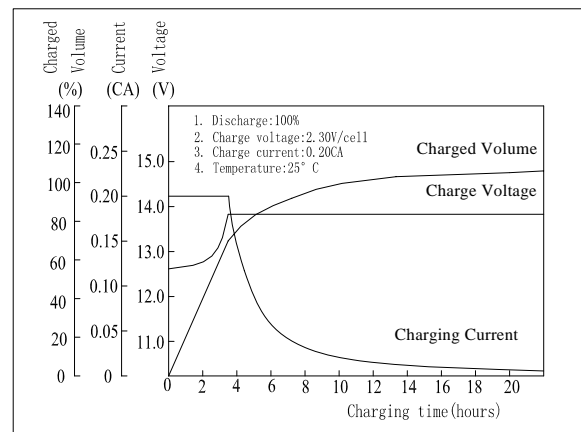
Constant Power Discharge Characteristics (Watt, 25°C)

| F.V/TIME | 5min | 10min | 15min | 30min | 60min | 3h | 5h | 10h | 20h |
|----------|------|-------|-------|-------|-------|-----|------|------|------|
| 9.60V | 1365 | 950 | 802 | 482 | 308 | 128 | 90.7 | 50.9 | 26.9 |
| 10.2V | 1297 | 903 | 769 | 463 | 295 | 126 | 89.4 | 50.4 | 26.6 |
| 10.8V | 1219 | 849 | 731 | 440 | 281 | 123 | 87.6 | 50.4 | 26.5 |

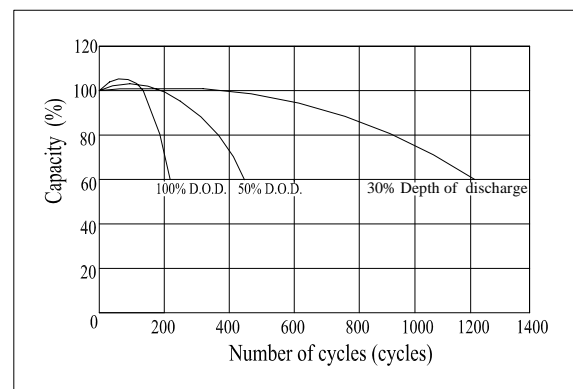
The Relationship for Open Circuit Voltage and Residual Capacity (25°C)



Charging Characteristics(25°C)



Cycle Life(25°C)



Note: Floating life at 20°C designed for 7 to 10 years.